

HYGIEMAG - Magnetic Non Contact Type: RMR (M30)

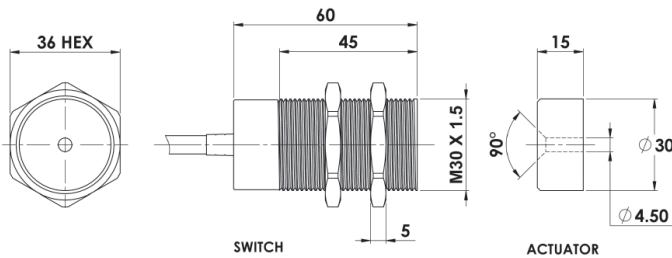
FEATURES:

M30 cylindrical fitting suitable for all industry applications.
 Easy to install - M30 threaded body - easy to set
 Wide 10mm sensing
 Suitable for harsh environments of Food Processing and Packaging
 Up to: PLe ISO13849-1
 2NC 1NO circuits
 Quick Connect versions available

Stainless Steel 316 Housing
Magnetic Actuation
Switching Tolerance up to 10mm
Will operate with most Safety Relays
Quick Connect versions available



DIMENSIONS:

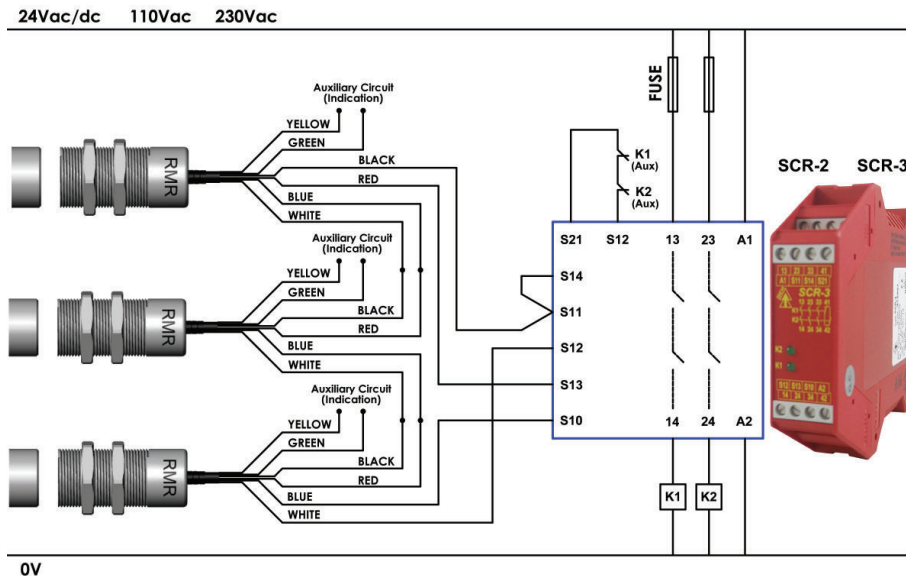


IP69K

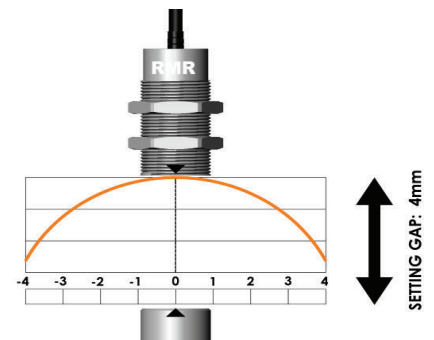


Quick Connect M12 versions fitted with 250mm (10") cable

CONNECTION EXAMPLE: Magnetic Switches



SETTING GAP:



0V

Three switches connected in series to an SCR-2 or SCR-3 to give Dual Channel guard monitoring with Automatic Start and Contactor Feedback Check.

Standards: ISO14119 EN60947-5-3
 EN60204-1 ISO13849-1 EN62061 UL508

Safety Classification and Reliability Data:

Mechanical Reliability B10d	3.3 x 10 ⁶ operations at 100mA load
ISO13849-1	Up to PLe depending upon system architecture
Safety Data – Annual Usage	8 cycles per hour/24 hours per day/365 days MTTFd 470 years
Safety Channel 1 NC	Voltage Free: 250Vac 0.5A Max. Rating
Safety Channel 2 NC	Voltage Free: 250Vac 0.5A Max. Rating
Safety Channel 3 NO	Voltage Free: 24Vdc 0.2A Max. Rating
Minimum Switched Current	10Vdc 1mA
Dielectric Withstand	250Vac
Insulation Resistance	100 Mohms
Recommended Setting Gap	5mm
Switching Distance (Target to Target)	Sao 8mm Close Sar 20mm Open
Tolerance to Misalignment	4mm in any direction from 4mm setting gap
Switching Frequency	1.0Hz maximum
Approach Speed	200mm/min to 1000mm/sec
Body Material	Stainless Steel 316
Operating Temperature	-25C +105C (CIP SIP cleaning)
Enclosure Protection	IP69K IP67
Shock Resistance	IEC68-2-27 11ms 30g
Vibration Resistance	IEC68-2-6 10-55Hz 1mm
Cable Type	PVC 6 core 6mm OD Conductors 0.25mm ²
Mounting Position	Any

Quick Connect QC M12 8 Way Male Plug Pin view from Switch	Standard Lead Colour	Circuit (Actuator Present)
4	Yellow	NO
6	Green	NO
7	Black	NC2
1	White	NC2
2	Red	NC1
3	Blue	NC1

SALES NUMBER	TYPE	CABLE LENGTH	CIRCUITS
134009	Hygiemag RMR S/Steel 316	2M	2NC
134010	Hygiemag RMR S/Steel 316	5M	2NC
134011	Hygiemag RMR S/Steel 316	10M	2NC
134012	Hygiemag RMR S/Steel 316	QC-M12	2NC
134013	Hygiemag RMR S/Steel 316	2M	2NC 1NO
134014	Hygiemag RMR S/Steel 316	5M	2NC 1NO
134015	Hygiemag RMR S/Steel 316	10M	2NC 1NO
134016	Hygiemag RMR S/Steel 316	QC-M12	2NC 1NO

For all IDEM switches the normally closed (NC) circuits are closed when the guard is closed and the actuator is present.

140101	Female QC Lead	M12 Female 5m. 8 way
140102	Female QC Lead	M12 Female 10m. 8 way